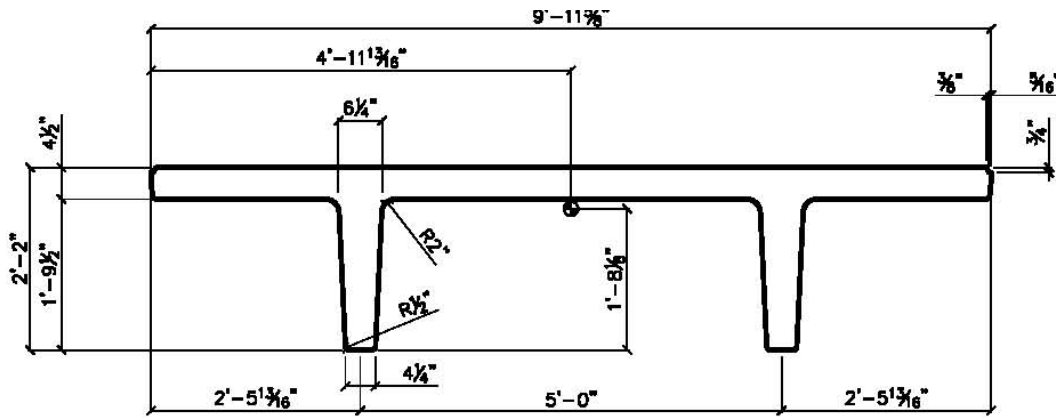


Precast/Prestressed Concrete Parking Structure



Typical Cross Section

Area:	765.201781		
Perimeter:	325.089835		
Bounding box:	X: -59.816225	--	59.816225
	Y: -20.105901	--	5.884499
Centroid:	X: 0.000000		
	Y: 0.000000		
Moments of inertia:	X: 33482.682528		
	Y: 842900.929549		
Product of inertia:	XY: 0.000000		
Radii of gyration:	X: 6.614883		
	Y: 33.189467		
Principal moments and X-Y directions about centroid:			
	I: 33482.682528	along	[1.000000 0.000000]
	J: 842900.929549	along	[0.000000 1.000000]

