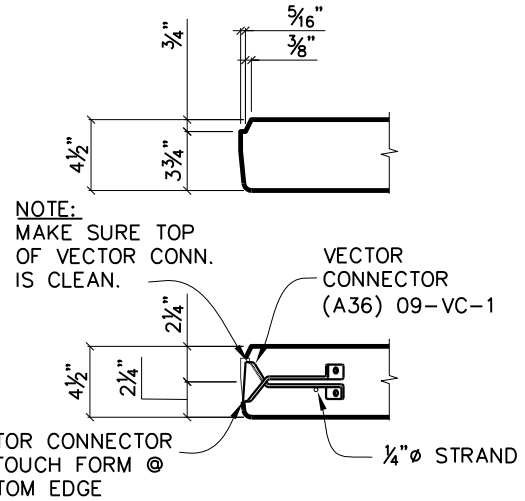
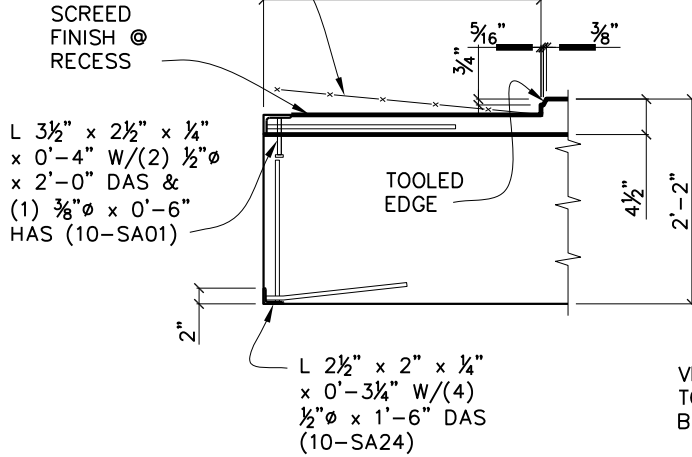


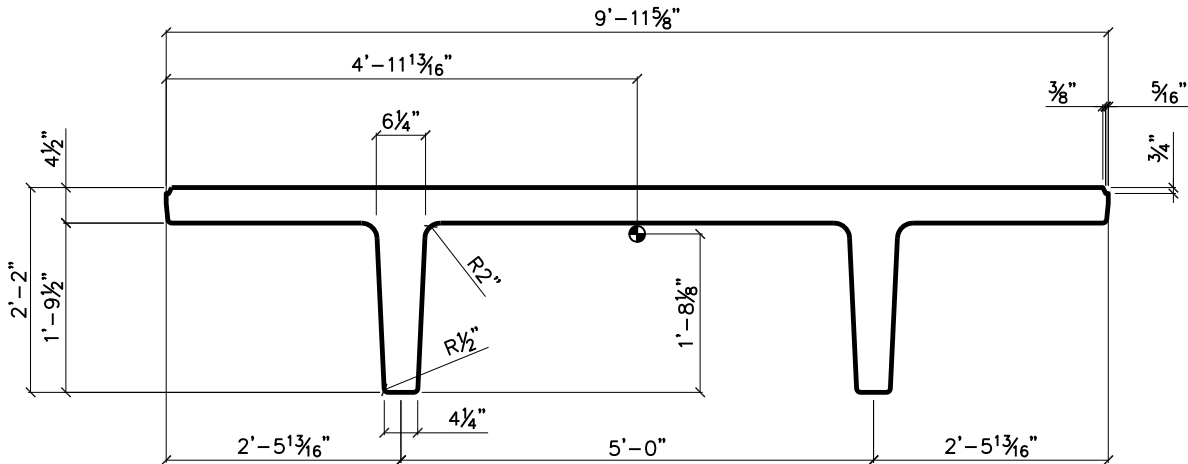
THIS DOCUMENT IS THE PROPERTY OF OLDCASTLE PRECAST, INC. IT IS CONFIDENTIAL, SUBMITTED FOR REFERENCE PURPOSES ONLY, AND SHALL NOT BE USED IN ANY WAY INJURIOUS TO THE INTERESTS OF, OR WITHOUT THE WRITTEN PERMISSION OF OLDCASTLE PRECAST, INC. COPYRIGHT © 2015 OLDCASTLE PRECAST, INC. ALL RIGHTS RESERVED

STD. DECK MESH  
12 x 6 W2.9 x W2.9  
4'-0" WIDE x RECESS  
LENGTH. PROJECT  
2'-6" EA. END  
(06-DTF4)



## End Detail

## Edge & Weld Tie Detail



## Typical Cross Section

Area:	765.201781
Perimeter:	325.089835
Bounding box:	X: -59.816225 -- 59.816225
	Y: -20.105901 -- 5.884499
Centroid:	X: 0.000000
	Y: 0.000000
Moments of inertia:	X: 33482.682528
	Y: 842900.929549
Product of inertia:	XY: 0.000000
Radii of gyration:	X: 6.614883
	Y: 33.189467
Principal moments and X-Y directions about centroid:	
	I: 33482.682528 along [1.000000 0.000000]
	J: 842900.929549 along [0.000000 1.000000]



PRELIM. DATE

ISSUED

DRAFTER  
Jeff Cates

JOB NO.

## Typical Parking

SHEET NO.

