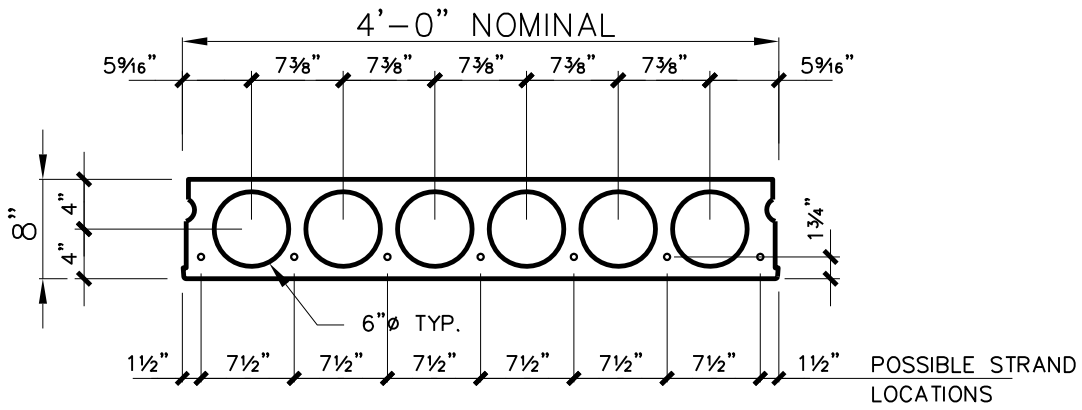
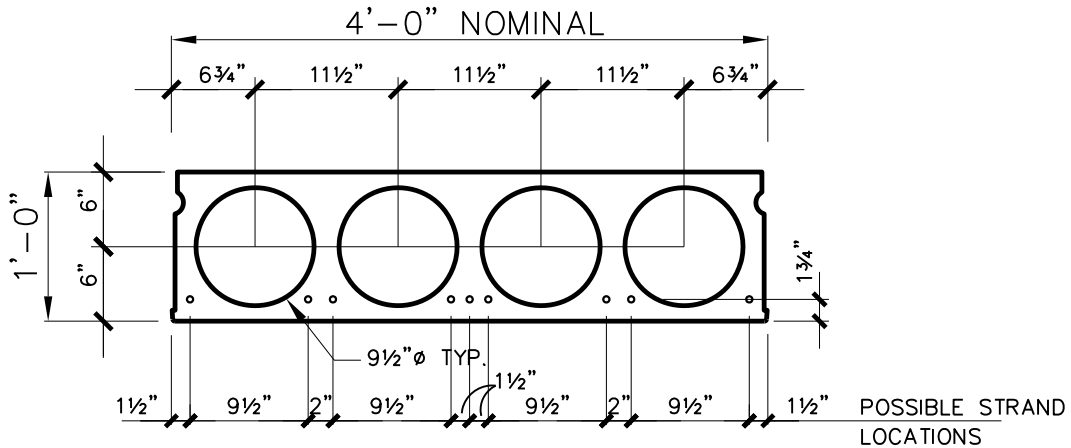


THIS DOCUMENT IS THE PROPERTY OF OLDCASTLE PRECAST, INC. IT IS CONFIDENTIAL, SUBMITTED FOR REFERENCE PURPOSES ONLY, AND SHALL NOT BE USED IN ANY WAY INJURIOUS TO THE INTERESTS OF, OR WITHOUT THE WRITTEN PERMISSION OF OLDCASTLE PRECAST, INC. COPYRIGHT © 2015 OLDCASTLE PRECAST, INC. ALL RIGHTS RESERVED



**TYPICAL 8" HOLLOWCORE SECTION**

AREA = 207 SQ. IN. WEIGHT = 60 PSF

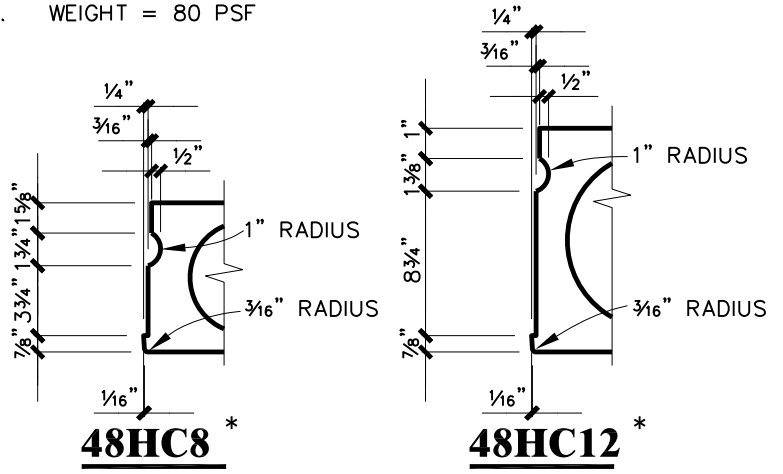


**TYPICAL 12" HOLLOWCORE SECTION**

AREA = 282 SQ. IN. WEIGHT = 80 PSF

8" KEYWAY = 6.73 SQ. IN.  
12" KEYWAY = 9.05 SQ. IN.

\* APPROXIMATE DIMENSIONS FROM PRODUCT MEASUREMENT ON 1-6-84



PRELIM. DATE	
ISSUED	
DRAFTER	Jeff Cates

JOB NO.

**Hollow Core Cross Sections Dimensions**

SHEET NO.

1/26/2015 1:44:07 PM, jeffcate01