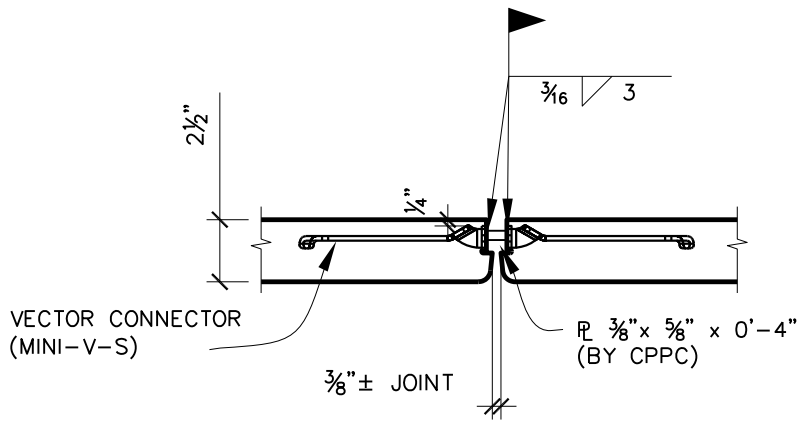


THIS DOCUMENT IS THE PROPERTY OF OLDCASTLE PRECAST, INC. IT IS CONFIDENTIAL, SUBMITTED FOR REFERENCE PURPOSES ONLY, AND SHALL NOT BE USED IN ANY WAY INJURIOUS TO THE INTERESTS OF, OR WITHOUT THE WRITTEN PERMISSION OF OLDCASTLE PRECAST, INC. COPYRIGHT © 2015 OLDCASTLE PRECAST, INC. ALL RIGHTS RESERVED



Typical DT Weld Tie Section 004

SCALE: 1/2" = 1'-0"



PRELIM. DATE
ISSUED
DRAFTER Jeff Cates

JOB NO.

Typical Double Tee Weld Tie Section 004

SHEET NO.

1/28/2016 2:12:43 PM, jeffcates01