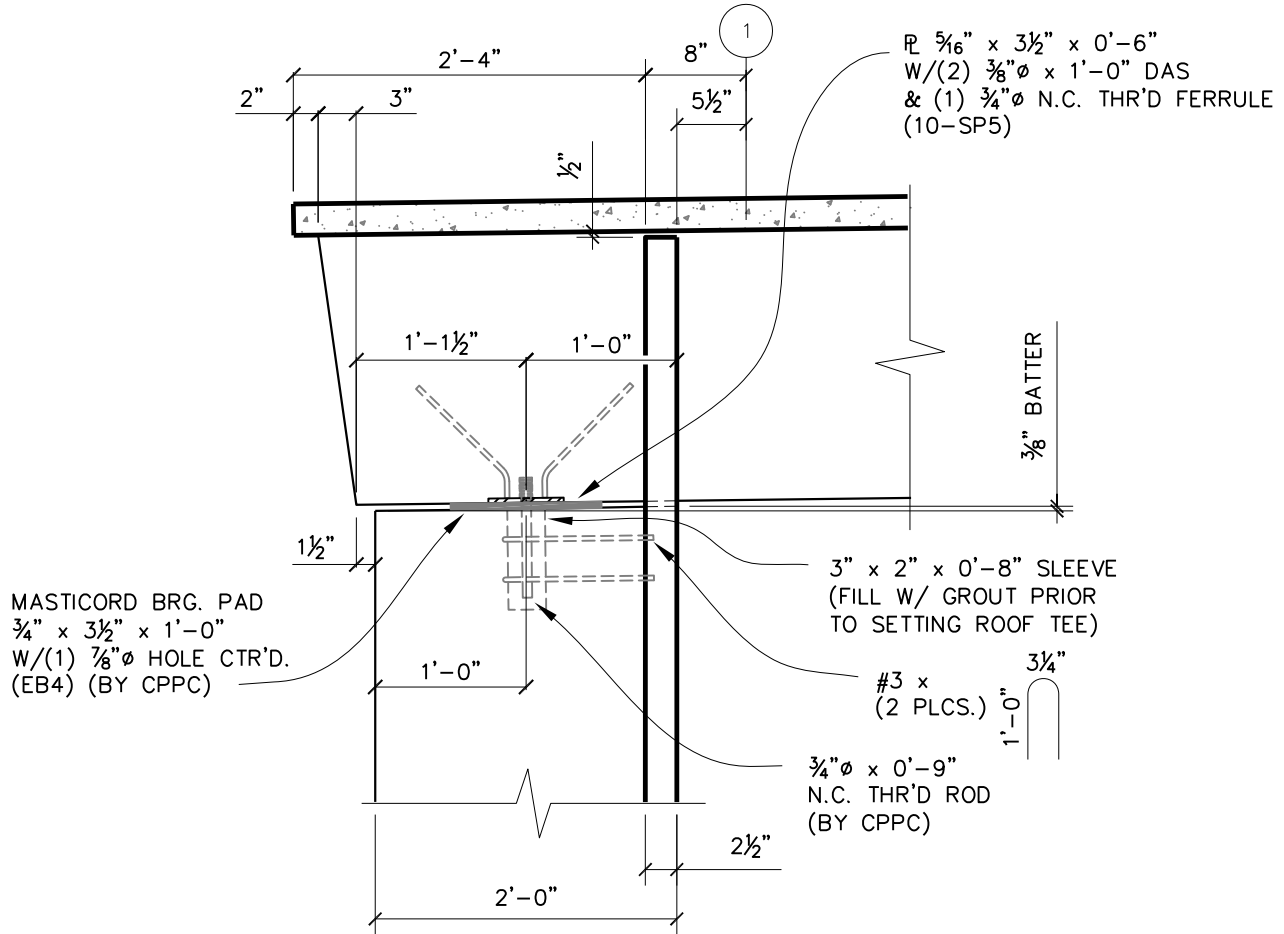


THIS DOCUMENT IS THE PROPERTY OF OLDCASTLE PRECAST, INC. IT IS CONFIDENTIAL, SUBMITTED FOR REFERENCE PURPOSES ONLY, AND SHALL NOT BE USED IN ANY WAY INJURIOUS TO THE INTERESTS OF, OR WITHOUT THE WRITTEN PERMISSION OF OLDCASTLE PRECAST, INC. COPYRIGHT © 2015 OLDCASTLE PRECAST, INC. ALL RIGHTS RESERVED



Roof DT to Non-Insulated Wall Dt Section 003

SCALE: 3/4" = 1'-0"



PRELIM. DATE	
ISSUED	△
DRAFTER	Jeff Cates

JOB NO.	Roof DT to Non-Insulated Wall Dt Sections 003
---------	--

SHEET NO.	
-----------	--

1/26/2016 2:12:03 PM, jefcates01