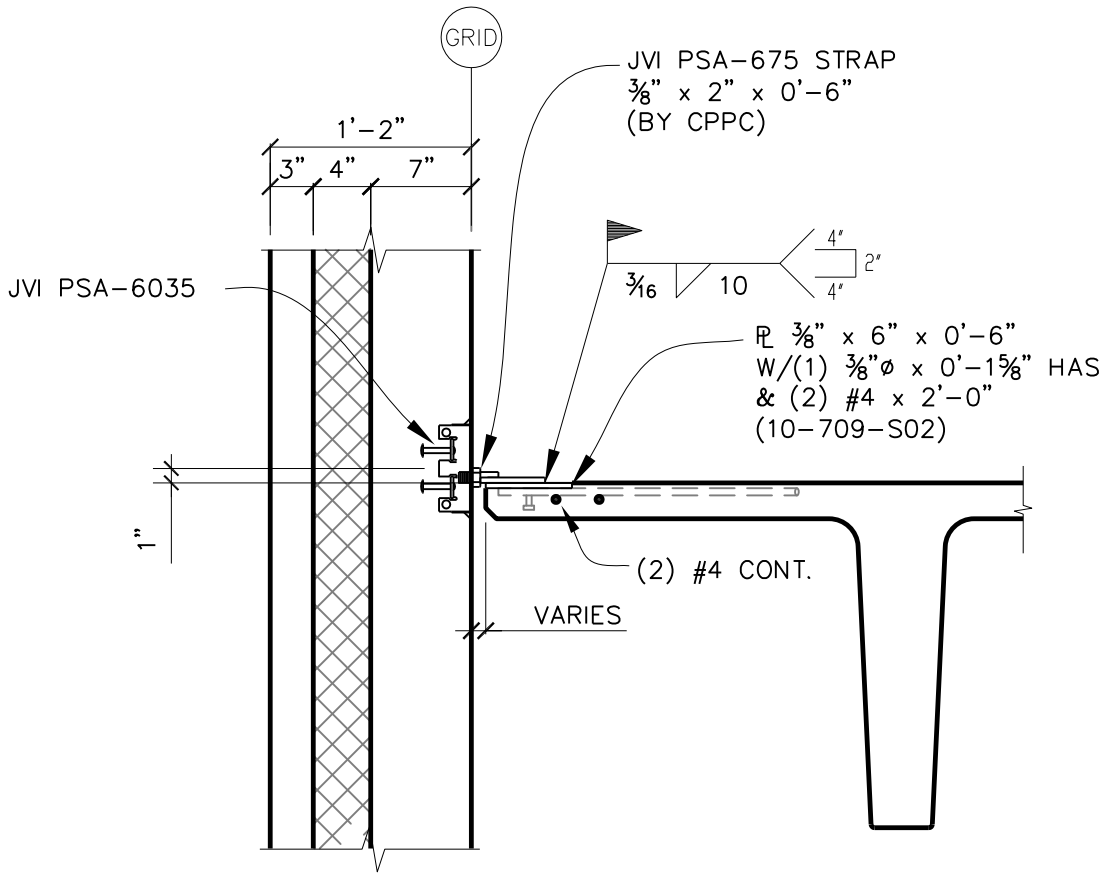


THIS DOCUMENT IS THE PROPERTY OF OLDCASTLE PRECAST, INC. IT IS CONFIDENTIAL, SUBMITTED FOR REFERENCE PURPOSES ONLY, AND SHALL NOT BE USED IN ANY WAY INJURIOUS TO THE INTERESTS OF, OR WITHOUT THE WRITTEN PERMISSION OF OLDCASTLE PRECAST, INC. COPYRIGHT © 2015 OLDCASTLE PRECAST, INC. ALL RIGHTS RESERVED



Roof DT to Insulated Wall Panel Section 002

SCALE: $\frac{3}{4}$ " = 1'-0"



PRELIM. DATE	
ISSUED	△
DRAFTER	Jeff Cates

JOB NO.	Roof Dt to Insulated Wall Panel Sections 002
---------	---

SHEET NO.	 Oldcastle Precast
-----------	------------------------------

1/28/2016 2:10:45 PM, jefcates01