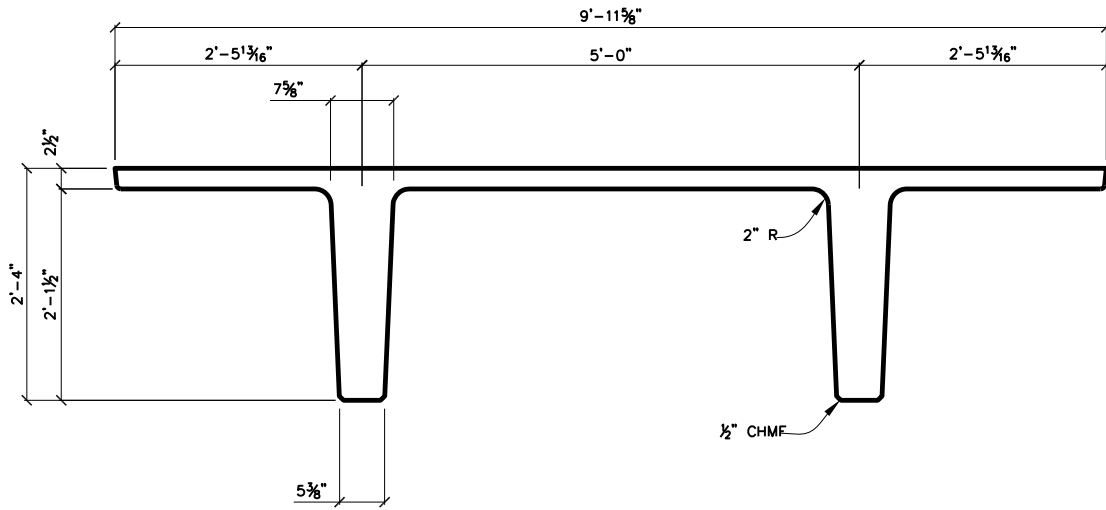


THIS DOCUMENT IS THE PROPERTY OF OLDCASTLE PRECAST, INC. IT IS CONFIDENTIAL, SUBMITTED FOR REFERENCE PURPOSES ONLY, AND SHALL NOT BE USED IN ANY WAY INJURIOUS TO THE INTERESTS OF, OR WITHOUT THE WRITTEN PERMISSION OF OLDCASTLE PRECAST, INC. COPYRIGHT © 2015 OLDCASTLE PRECAST, INC. ALL RIGHTS RESERVED



28" DOUBLE TEE TYP. CROSS SECTION



PRELIM. DATE	
ISSUED	△
DRAFTER	Jeff Cates

JOB NO.	Roo DT to Insulated Wall DT Sections 001
---------	---

SHEET NO.	 Oldcastle Precast
-----------	---

1/26/2016 2:07:36 PM, jeffcates01