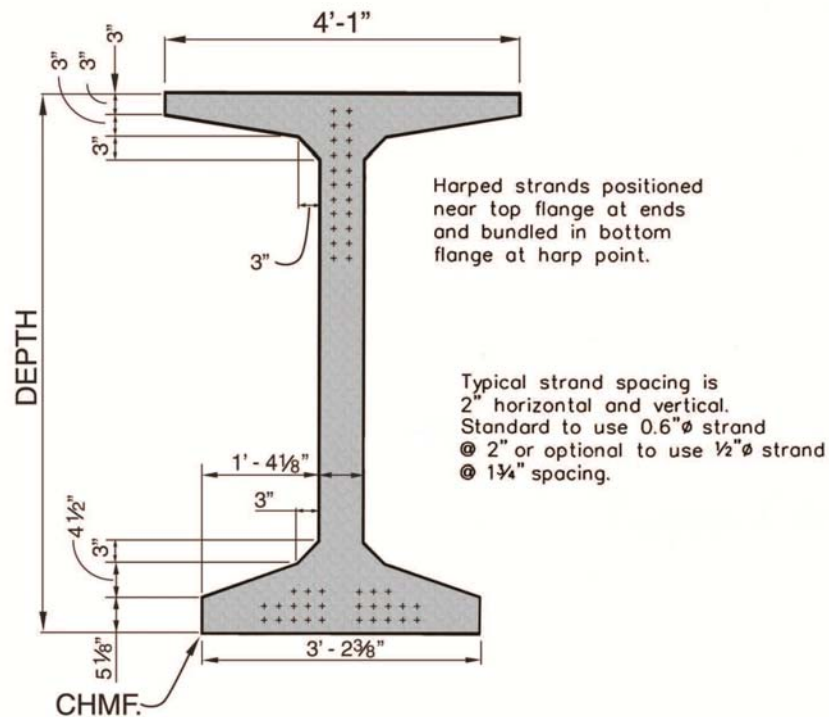


Washington State Wide Flange Girders

WSDOT bridge sections are designed for use with a composite concrete field-cast deck.



SECTION PROPERTIES						
	WF42G	WF50G	WF58G	WF74G	WF83G	WF95G
WIDTH	4'-1"	4'-1"	4'-1"	4'-1"	4'-1"	4'-1"
DEPTH	3'-6"	4'-2"	4'-10"	6'-2"	6'-10 5/8"	7'-11"
Ag (in ²)	732	781	830	928	981	1,055
I (in ⁴)	185,469	285,223	409,922	740,453	967,059	1,343,412
Yb (in)	20.43	24.23	28.00	35.76	39.94	45.77
WT (plf) @ 160 pcf	814	868	922	1,031	1,090	1,171
MAX SP (ft)	115	130	145	175	195	

* LIMITED BY WEIGHT