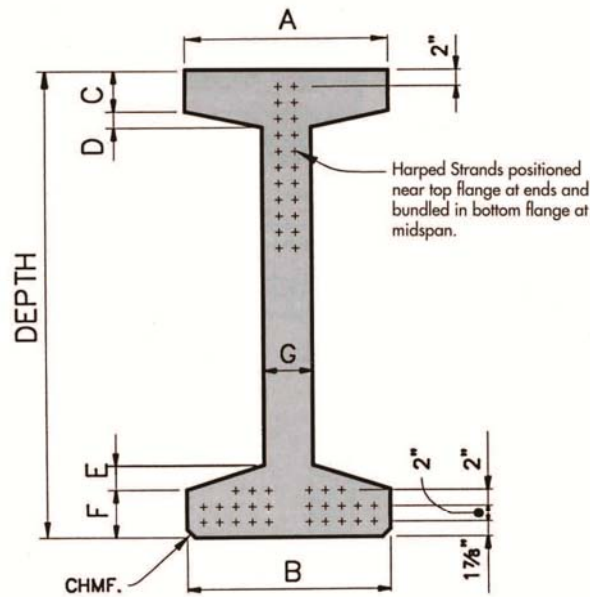


Washington State Girders



Typical 1/2" ø strand spacing is 2" horizontal and vertical. Optional to use 0.6" ø strand @ 2" or 1/2" ø strand @ 1 3/4" spacing.

SECTION

SECTION PROPERTIES ARE GIVEN FOR THE GIRDER ONLY.

SECTION PROPERTIES												
GIRDER	DEPTH	Ag (in ²)	I (in ⁴)	Yb (in)	WT (plf) @ 160 pcf	A	B	C	D	E	F	G
W58G	4'-10"	605	265,357	27.96	672	2'-1"	2'-1"	5"	2"	3"	6"	6"
W50G	4'-2"	527	165,457	22.77	585	1'-7"	2'-0"	5"	2"	3"	6"	6"
W42G	3'-6"	374	76,437	18.89	416	1'-2"	1'-7"	3 1/2"	1 1/2"	2"	5"	5"