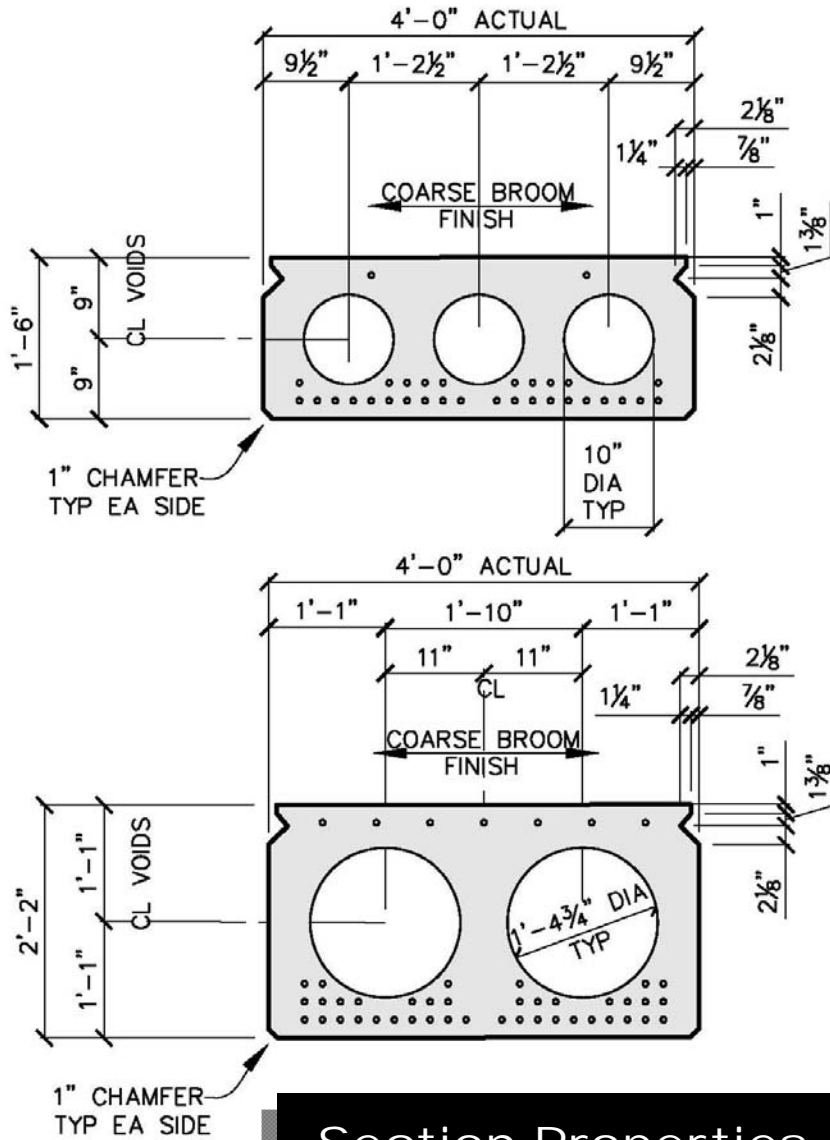


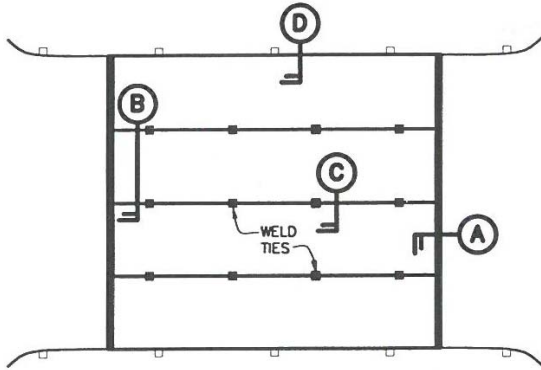
Voided Slab



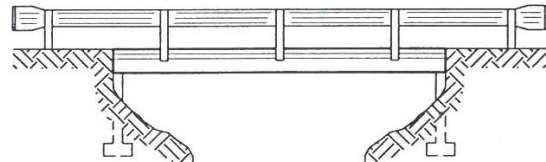
Section Properties

DEPTH	2'-2"	
		Ag (in ²)
	I (in ⁴)	61,189
	Yb (in)	12.9722
	WT (plf) ● 160 pcf	857
1'-6"	Ag (in ²)	617
	I (in ⁴)	21,279
	Yb (in)	8.9661
	WT (plf) ● 155 pcf	664

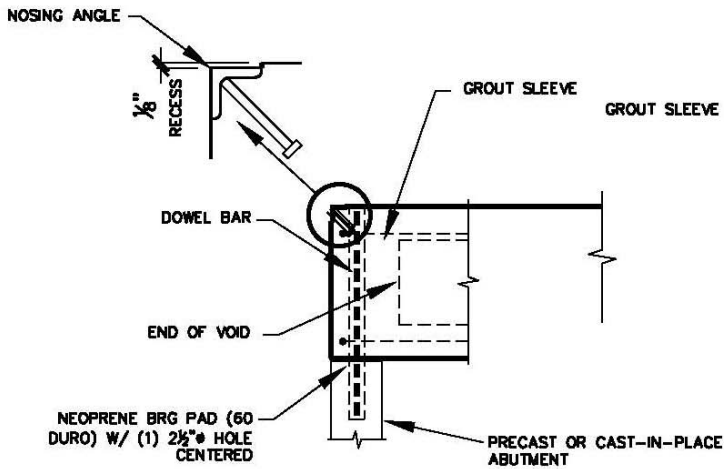
Voided Slab



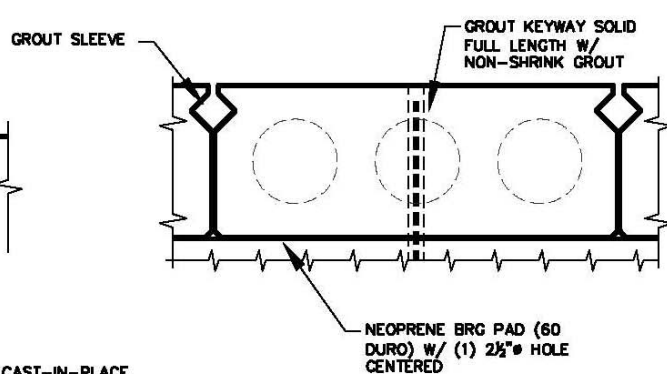
PLAN



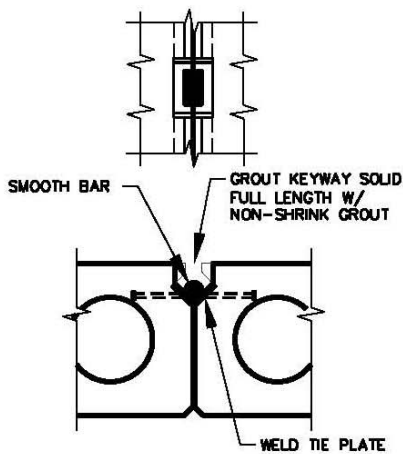
ELEVATION



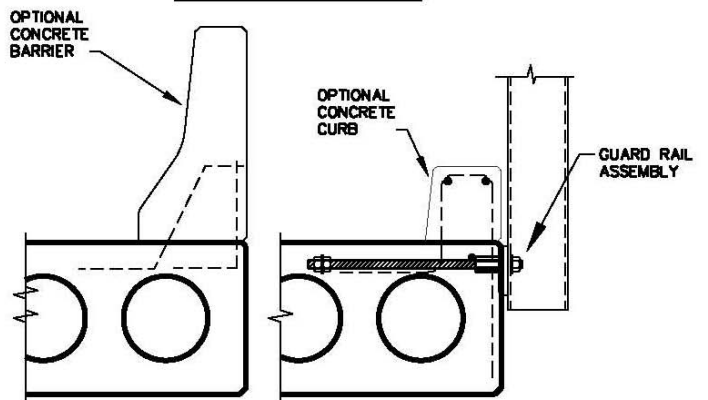
SECTION "A"



SECTION "B"



SECTION "C"



SECTION "D"