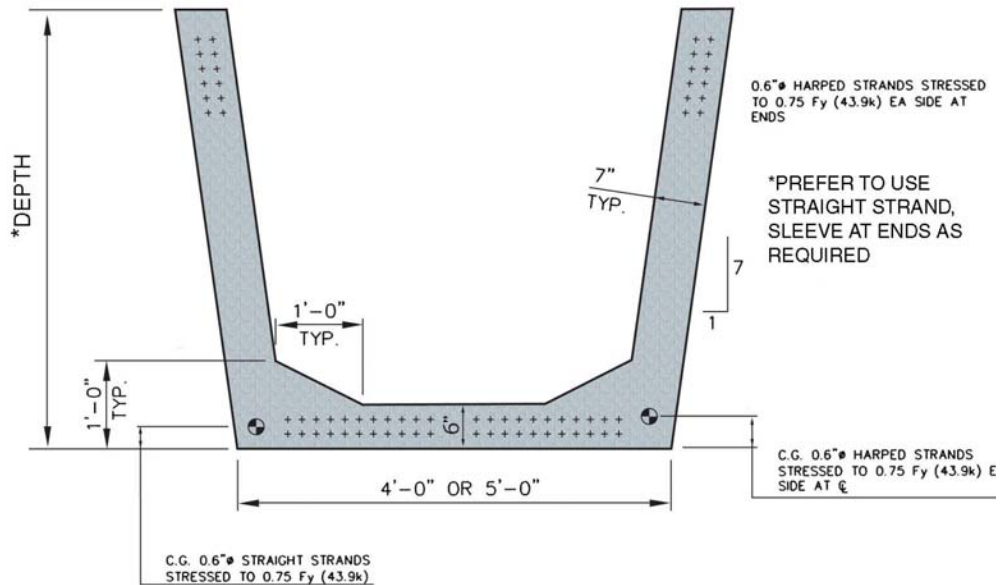


Tub Girders



SECTION PROPERTIES

GIRDER	DEPTH	WIDTH AT BOTTOM	WIDTH AT TOP	Ag (in ²)	I (in ⁴)	Yb (in)	WT (PLF) @ 160 pcf	MAX SPAN (ft)
U54G4	4'-6"	4'-0"	5'-3 1/2"	1038	292,423	20.97	1,154	130
U66G4	5'-6"	4'-0"	5'-6 7/8"	1208	516,677	26.45	1,343	155
U54G5	4'-6"	5'-0"	6'-3 3/8"	1110	314,382	19.81	1,234	130
U66G5	5'-6"	5'-0"	6'-6 7/8"	1280	554,262	25.13	1,423	150

*OTHER DEPTHS AVAILABLE, CONSULT CENTRAL PRE-MIX PRESTRESS FOR INFORMATION.